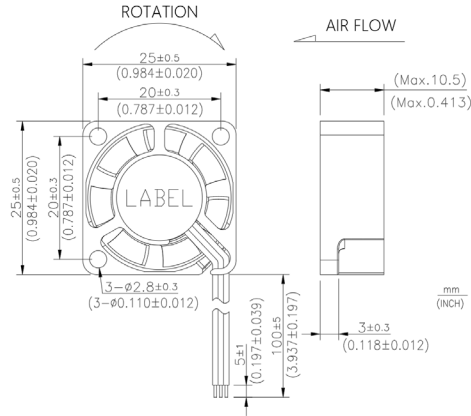
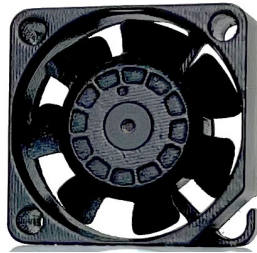
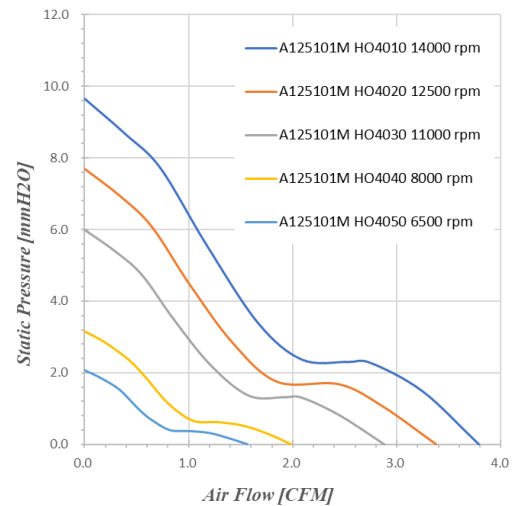


iCOOL Fan 25*25*10 MM Series

DIMENSION DRAWING



Housing : Plastic (UL 94V-0)
 Impeller : Plastic (UL 94V-0)
 Bearing Hydraulic Bearing
 Operating temp : -10 ~ 70°C
 Mass : 7.7g



產品別	Model No.		Control Type	Bearing Type	Rated Voltage	Operating Voltage Range	Operating Temp.	Speed	Input Current	Input Power	Maximum Air Flow		Maximum Air Pressure			Noise
					VDC	VDC	°C	R.P.M	Amp	Watt	CFM	m ³ /min	inH2O	mmH2O	Pa	
2510 5V Hydraulic Series	A125100M	HO4010	+/-FG/PWM	Hydraulic	5	3.5~5.5	-10~70	14000	0.178	0.89	3.78	0.11	0.38	9.66	95	31.4
	A125100M	HO4020	+/-FG/PWM	Hydraulic	5	3.5~5.5	-10~70	12500	0.126	0.63	3.27	0.09	0.30	7.74	76	27.5
	A125100M	HO4030	+/-FG/PWM	Hydraulic	5	3.5~5.5	-10~70	11000	0.111	0.55	2.87	0.08	0.24	5.99	59	25.4
	A125100M	HO4040	+/-FG/PWM	Hydraulic	5	3.5~5.5	-10~70	8000	0.062	0.31	1.98	0.06	0.12	3.16	31	19.4
	A125100M	HO4050	+/-FG/PWM	Hydraulic	5	3.5~5.5	-10~70	6500	0.049	0.24	1.56	0.04	0.08	2.07	20	16.7
2510 12V Hydraulic Series	A125101M	HO4010	+/-FG/PWM	Hydraulic	12	7~13.8	-10~70	14000	0.074	0.89	3.78	0.11	0.38	9.66	95	31.4
	A125101M	HO4020	+/-FG/PWM	Hydraulic	12	7~13.8	-10~70	12500	0.053	0.63	3.27	0.09	0.30	7.74	76	27.5
	A125101M	HO4030	+/-FG/PWM	Hydraulic	12	7~13.8	-10~70	11000	0.046	0.55	2.87	0.08	0.24	5.99	59	25.4
	A125101M	HO4040	+/-FG/PWM	Hydraulic	12	7~13.8	-10~70	8000	0.026	0.31	1.98	0.06	0.12	3.16	31	19.4
	A125101M	HO4050	+/-FG/PWM	Hydraulic	12	7~13.8	-10~70	6500	0.020	0.24	1.56	0.04	0.08	2.07	20	16.7